

2010 AUDI MELGES 20 PRESENTATION

Melges Performance Sailboats

by

Andy Burdick

MELGES
USA

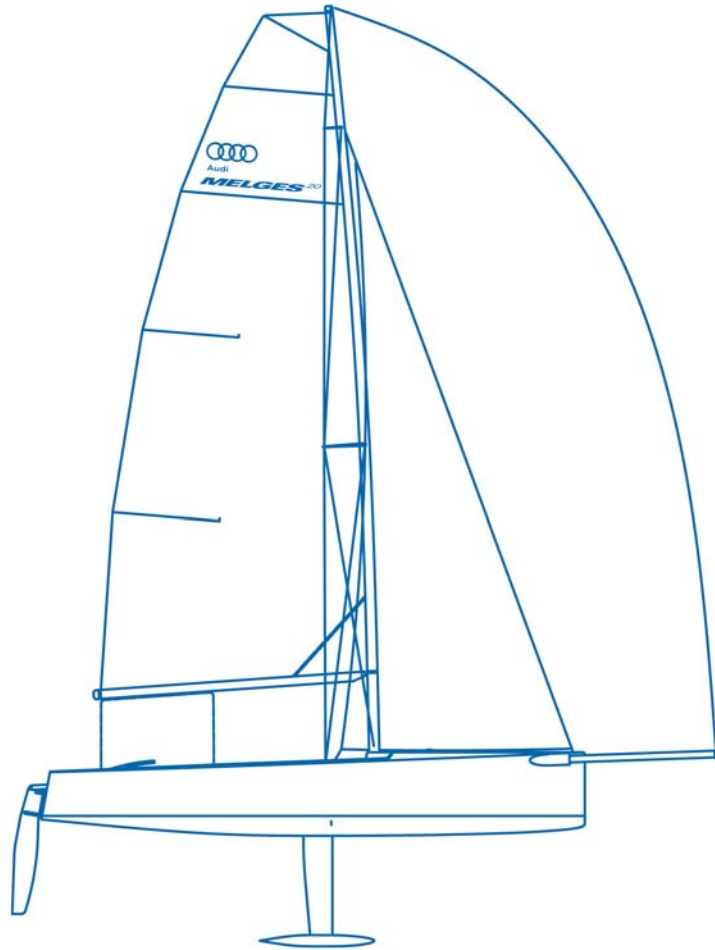
MELGES.COM • MELGES20.COM • MELGES.COM.AU • MELGESEUROPE.COM



MEASURE THE MELGES DIFFERENCE.

For more than sixty years, Melges has delivered superior built scows and sportboats across the country and around the world. Successfully we have designed, manufactured and provided continuous customer service and support unlike anyone else. Every boat comes complete with high-end accessories, race ready – that is The Audi Melges 20 Experience. Signed, sealed, endorsed and delivered by the best, for the best.

MELGES.COM · MELGES20.COM · MELGES.COM.AU · MELGESEUROPE.COM



THE AUDI MELGES 20.

SIMPLICITY.
THE ULTIMATE SOPHISTICATION
IN PERFORMANCE
ONE DESIGN RACING.

PRODUCT SPECIFICATIONS

LENGTH 20 ft (6.096 m), **BEAM** 7 ft (2.133 m)

DRAFT 4 ft 6 in (1.374 m), **WEIGHT** 1,146 lbs (520 kg)

SAIL AREA

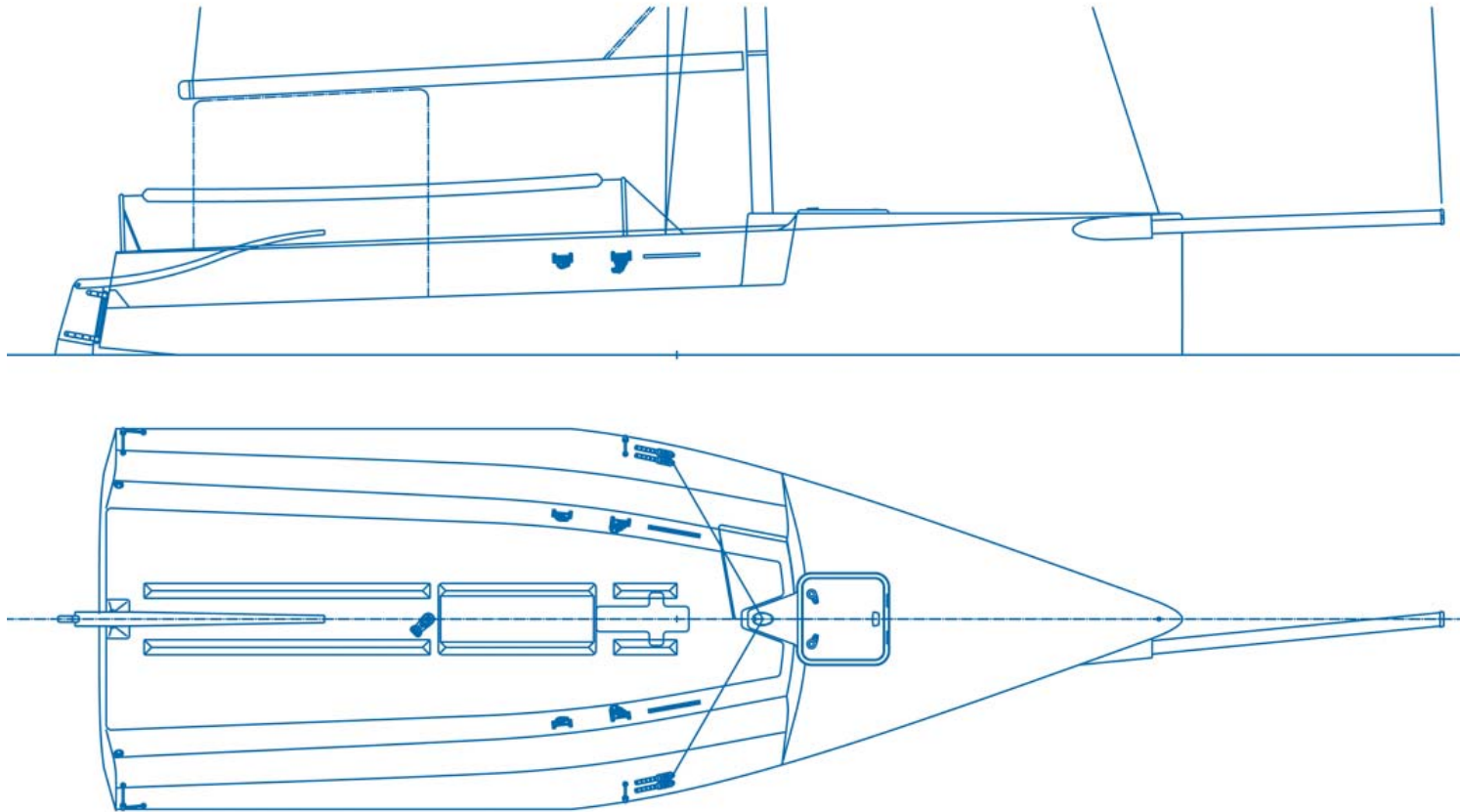
MAIN 172 sq ft (16 m²)

JIB 88 sq ft (8.2 m²)

SPINNAKER 430 sq ft (40 m²)

CREW 2-4

DECK PLAN



DESIGN FEATURES



- LEGS IN, NO HIKING
- Overall modern appearance including a beautiful square top mainsail
- Smooth comfortable design throughout with large radius edges
- Large comfortable cockpit with simple to sail deck layout
- No winches!
- Enclosed interior with access while sailing
- Sail stowage below deck when not sailing
- High freeboard for a dry ride
- Flat stable aft planing hull sections
- Fine bow entry for upwind performance
- Carbon fiber 'M' rig setup for the ultimate in performance, simple to tune
- Cool carbon spar with clear coat finish
- Shroud tracks for no adjustment on turnbuckles while sailing
- Above boom vang system
- Custom aluminum boom extrusion with no tunnel
- Carbon bowsprit with 'one pull' tack line-pole out system and under deck concealed housing trough with water drainage out back of cockpit
- Super-sleek carbon foils
- Retractable high aspect keel with weed cutter
- High aspect rudder system
- Roller furling zipper luff jib with battens
- Jib halyard lock at sheave box at head of jib with zipper luff jib for easy sail removal and hoisting
- New high tech Harken below deck furling system for clean new look and no water in interior
- Permanent forestay
- Mast head asymmetrical spinnaker

DESIGN FEATURES (Continued)

- Mainsail halyard lock at mast head
- Custom trailing package that is easy to tow behind most vehicles
- Easy to rig, launch and retrieve from a boat ramp
- Easy to launch from a hoist with a single point lift
- No mainsail traveler
- No backstay
- Anti-hiking backsider pads for greater comfort and safety with black powder coated support stanchions
- Large foot rests on cockpit floor
- Motor well in deck for motor stowage and easy access
- Emphasis on youth and female participation
- No crew weight rule
- Open to all sailmakers
- Easy to ship — two boats in a container on trailers, or four boats in a container stacked
- Race ready from the factory – just add water approach – the Melges Way!
- No fairing – a strict one design!
- Worldwide brand strength and fleet building history = strong resale values
- Category 1 Driver class
- Aramid sail allowance for added performance and longevity
- Annual sail purchase limitations
- Fully vinylester resin infused sandwich laminate with core-cell core, insuring a lightweight, strong, high-quality laminate with incredible consistency of weight
- Fully CE certified trailer for worldwide access including mast stand and mast hold down
- 500-600 lbs (225-272 kg) recommended crew weight range



MELGES
USA



THE NEXT GENERATION.

The Audi Melges 20™ fulfills the need for a more compact, yet spacious, fast, well-built sportboat. With its introduction, Melges Performance Sailboats is proud to deliver the next generation in sailboats. An exclusive Reichel/Pugh keelboat design, it is advanced in every respect. It will be simple to sail, made with high quality materials, beautiful and very easy to rig with wide appeal to many skill levels, ages and genders.

MELGES.COM • MELGES20.COM • MELGES.COM.AU • MELGESEUROPE.COM



PHILOSOPHY

The philosophy behind the Audi Melges 20 was to create a sexy boat with beautiful lines, while at the same time providing a unique and sophisticated sailing experience. It is modern, ahead of the curve, featuring the latest technology and prudent in its use of cutting-edge materials and concepts. Already, upon its brief introduction to the sailing world, it is fast becoming the benchmark for small keelboats. It satisfies the need for more exciting, fun, simplified sailing in the 20-foot sportboat range.

Easy to rig, launch and haul, the Audi Melges 20 is a pure joy to sail. Comfortably accommodating 2-4 crew, the spirit of the Audi Melges 20 is custom designed to appeal to the amateur (Category 1) Corinthian driver. It is the easiest sportboat to sail on the market today. For women and juniors, the Audi Melges 20 has low load sheets making it very simple for individuals of all ages, physique and skill levels to sail.

The Audi Melges 20 possesses a simplicity that exceeds expectation, far beyond what any sailor could possibly imagine, yet maintains a very high standard of performance.

Why the Audi Melges 20?

No crew weight restrictions. No sailmaker restrictions, yet has sail purchase limitations. The boat and rig are a strict one design.

The same great standard features found on other Melges products like the Melges 17™, Melges 24™ and Melges 32™ are included on the Audi Melges 20, such as a smooth, comfortable deck with a clean simple layout complemented by a truly contemporary design and new, easy, advanced rig set-up.

The Audi Melges 20 will be unlike any other. It will spark a lifelong passion for sailing – that is Melges' commitment to the sport of sailing.

MELGES USA

EXPERIENCE SAILING. EXPERIENCE MELGES.

- Comfortably accommodates 2-4 crew
- No crew weight restrictions
- No sailmaker restrictions
- A strict one design
- Sail purchase limitations



MELGES.COM • MELGES20.COM • MELGES.COM.AU • MELGESEUROPE.COM



Audi

MELGES
USA

MELGES²⁰

Audi is the international title sponsor for the Melges 20. "From the very start, our goal for the Audi Melges 20 was to deliver a boat that was simplistic and sophisticated. With this sponsorship, it has taken another major step toward that goal, ultimately securing its place in sailing history," said Harry Melges, CEO of Melges Performance Sailboats. "For Audi Melges 20 owners, this level of support could not come at a more opportune time."

"This agreement for exclusive worldwide titling came about through the express desire and initiative of Audi Italy," said Riccardo Simoneschi, chairman of B-Plan, one of Europe's top sports marketing agencies. "For many years, Audi has hosted the top names in international sailing. It is this level of commitment that has made Audi a visionary in the sport of sailing. They wanted to be associated with the latest and most anticipated one design boat by Melges, a name that needs no introduction."

For Audi, this sponsorship further represents their continued involvement and dedication to the arena of competitive sailing. In Audi tradition, they look forward to contributing to the technical and competitive growth of the Audi Melges 20. It is yet another distinct opportunity to explore and encourage the development of all forms of yachting competition.

With this announcement, the Audi Melges 20 joins its larger keelboat counterpart, the Melges 32, on the prestigious European Audi Sailing Series circuit. The circuit will continue in 2010 with another round of five major events, strategically placed to deliver high-performance competition.

Cohesive partnerships thus far have made the Audi Melges 20 a great success. The collaboration on the design of this sportboat with legendary Reichel/Pugh Yacht Design surely has made an impression on the global market place.

The Audi Melges 20 was named *2009 One Design Boat of the Year* by *Sailing World Magazine*.



Audi

USA SAILING SERIES 2010

MELGES²⁰

MELGES
USA

The Audi Melges 20 Fleet welcomes you to take part in the 2010 USA Sailing Series. Come experience the hottest new sportboat in the world.

| | | |
|------------------|--------------------------------------|-----------------|
| DEC 11-13 | MIAMI EVENT NO. 1 | MIAMI, FL |
| FEB 20-21 | MIAMI EVENT NO. 2 | MIAMI, FL |
| MAR 11-13 | MIAMI EVENT NO. 3 | MIAMI, FL |
| APR 07-11 | CHARLESTON RACE WEEK | CHARLESTON, SC |
| JUN 04-06 | SPERRY TOP-SIDER DETROIT NOOD | DETROIT, MI |
| JUN 18-20 | TORONTO REGATTA | TORONTO, CAN |
| AUG 27-29 | U.S. NATIONAL CHAMPIONSHIP | LAKE GENEVA, WI |
| OCT 02-03 | FALL CHAMPIONSHIP REGATTA | LAKE GENEVA, WI |

Events are regularly added to the Audi Melges 20 racing schedule. Please visit the official web site of the International Audi Melges 20 Class Association at melges20.com.

MELGES.COM · MELGES20.COM · MELGES.COM.AU · MELGESEUROPE.COM

MELGES USA



The same great standard features found on other Melges products like the Melges 32™, Melges 24™ and Melges 17™ — are included on the Audi Melges 20 such as a smooth comfortable deck with a clean simple layout complemented by a truly cutting-edge design and new, easy, advanced rig set-up.

MELGES.COM • MELGES20.COM • MELGES.COM.AU • MELGESEUROPE.COM



ANDY BURDICK

N598 ZENDA ROAD • P.O. BOX 1 • ZENDA, WISCONSIN 53195 USA

PHONE: (262) 275 1110 • FAX: (262) 275 8012

E-MAIL: ANDY@MELGES.COM



| | | | | | | | | | |
|--------------------------|---|----|---|---|---|----|----|----|----|
| ALSO OFFERING THE MELGES | X | MC | C | E | A | 17 | 20 | 24 | 32 |
|--------------------------|---|----|---|---|---|----|----|----|----|

MELGES.COM • MELGES20.COM • MELGES.COM.AU • MELGESEUROPE.COM